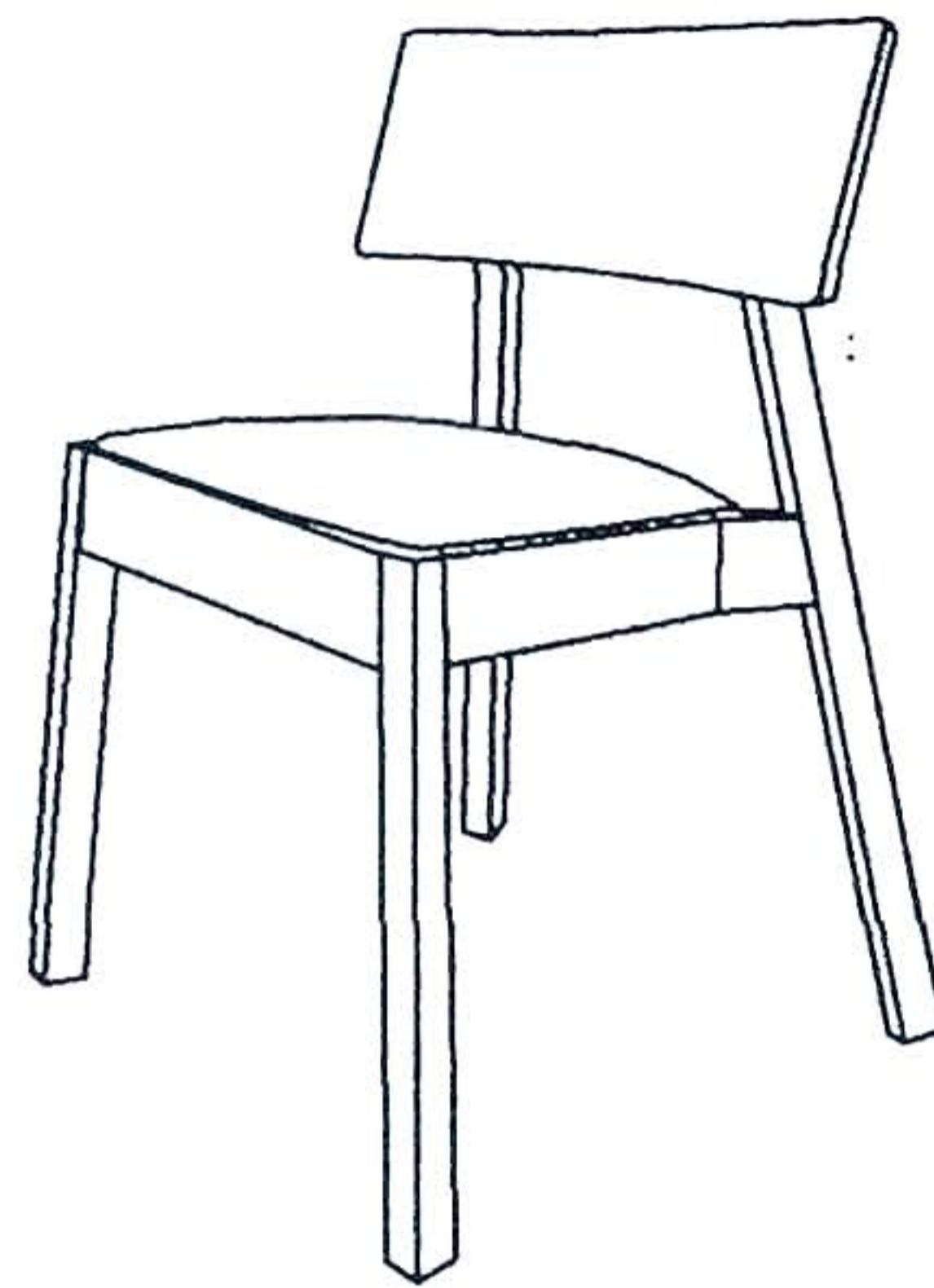


ИНСТРУКЦИЯ ПО СБОРКЕ

Стул Чикаго



Product Description

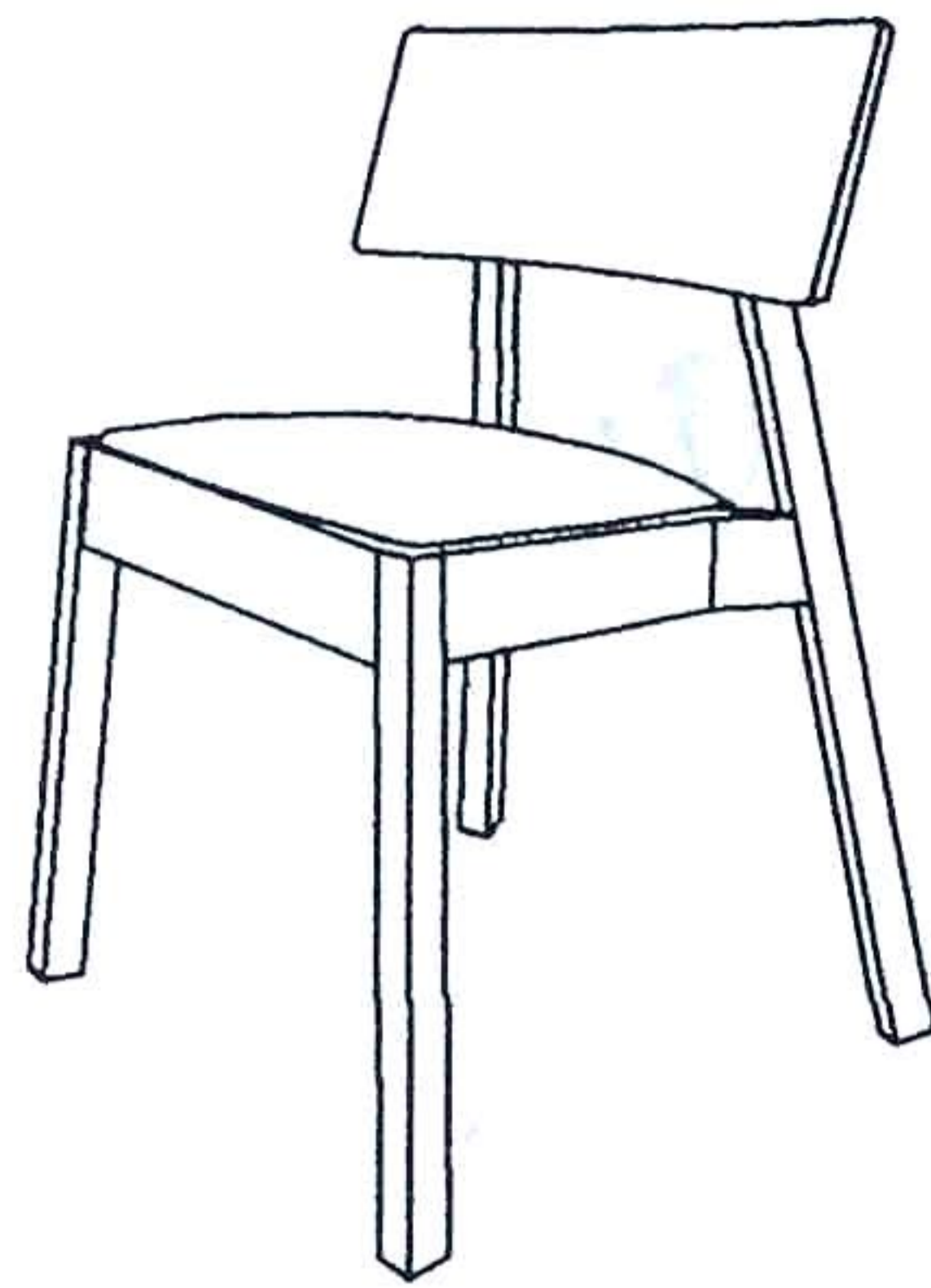
Read the instruction carefully. Remove all the wrapping material, staples and straps from the carton. Refer to the hardware and furniture part list for guidance. Be sure that you have all the part before you start assembling. Place all the wooden furniture part on a clean and flat soft surface, such carpet or rubbermat to prevent from scratches.

CAUTION

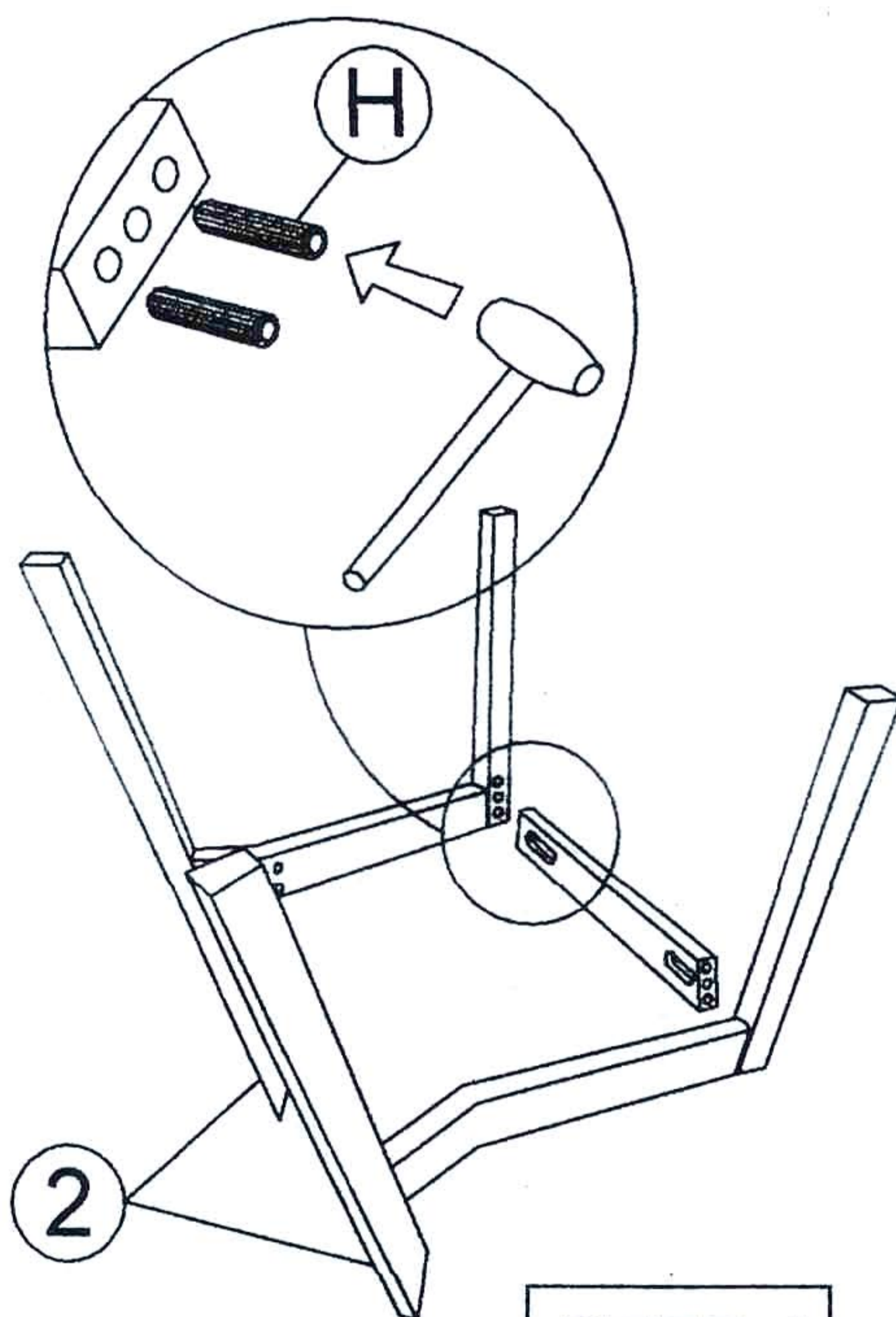
KEEP ALL THE PARTS OUT OF REACH OF CHILDREN

ITEM	PHOTO	HARDWARE NAME	QTY
(A)		JCBC SCREW M6 X 50MM (RB)	4
(B)		JCBC SCREW M6 X 40MM (BLK)	2
(C)		JCBC SCREW M6 X 25MM (BLK)	2
(D)		SCREW PIN 15 x 15MM	4
(E)		SPRING WASHER 5/16" (RB)	4
(F)		L BRACKET (RB)	4
(G)		CSK SCREW 3.5x12 (RB)	8
(H)		WOOD DOWEL M10 X 30MM	8
(I)		ALLEN KEY M4 (BALL SHAPE)	1

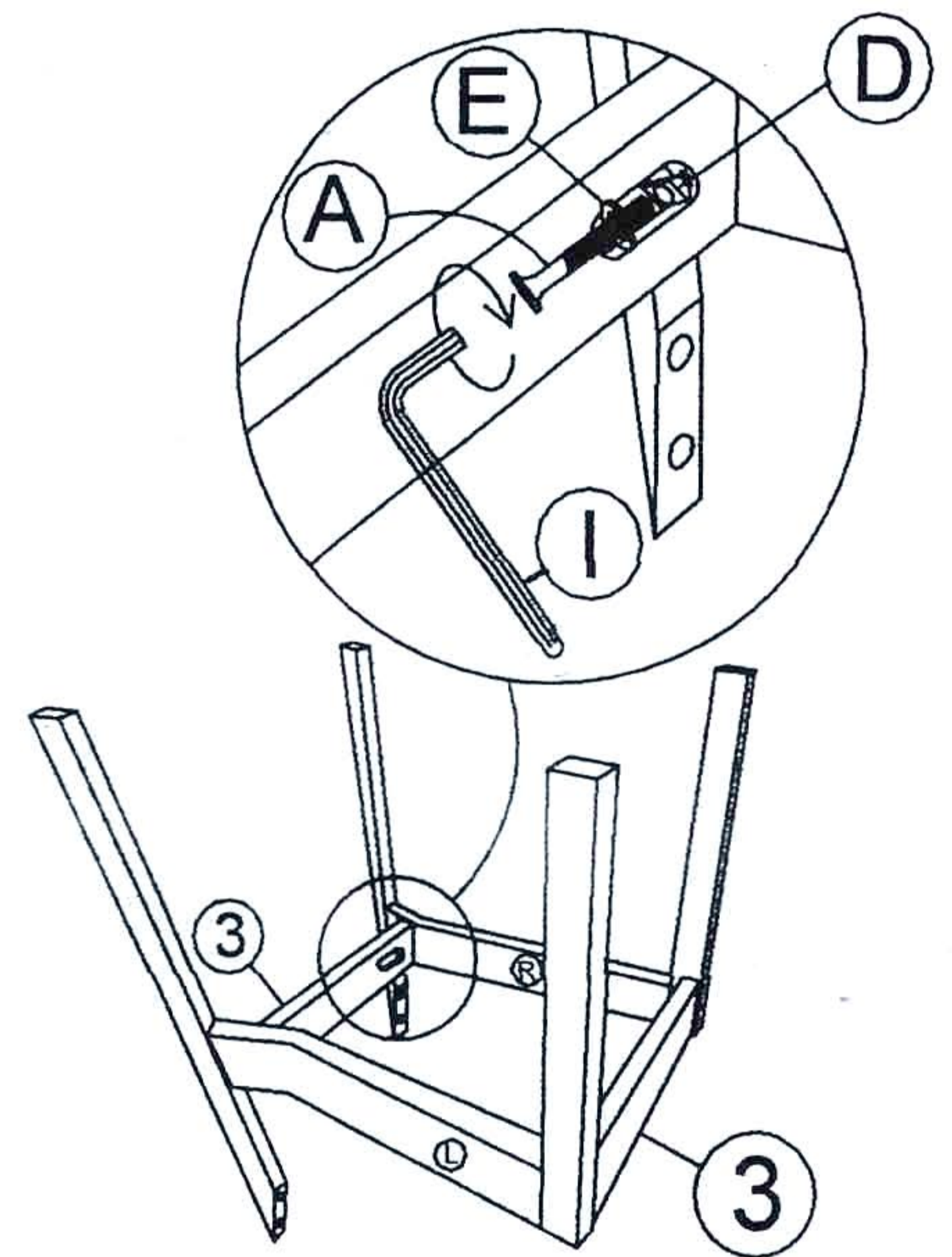
ITEM	PHOTO	PART NAME	QTY
(1)		CHAIR BACK	1
(2)		CHAIR LEG (L&R)	2
(3)		RAIL (F&B)	2
(4)		CHAIR SEAT	1



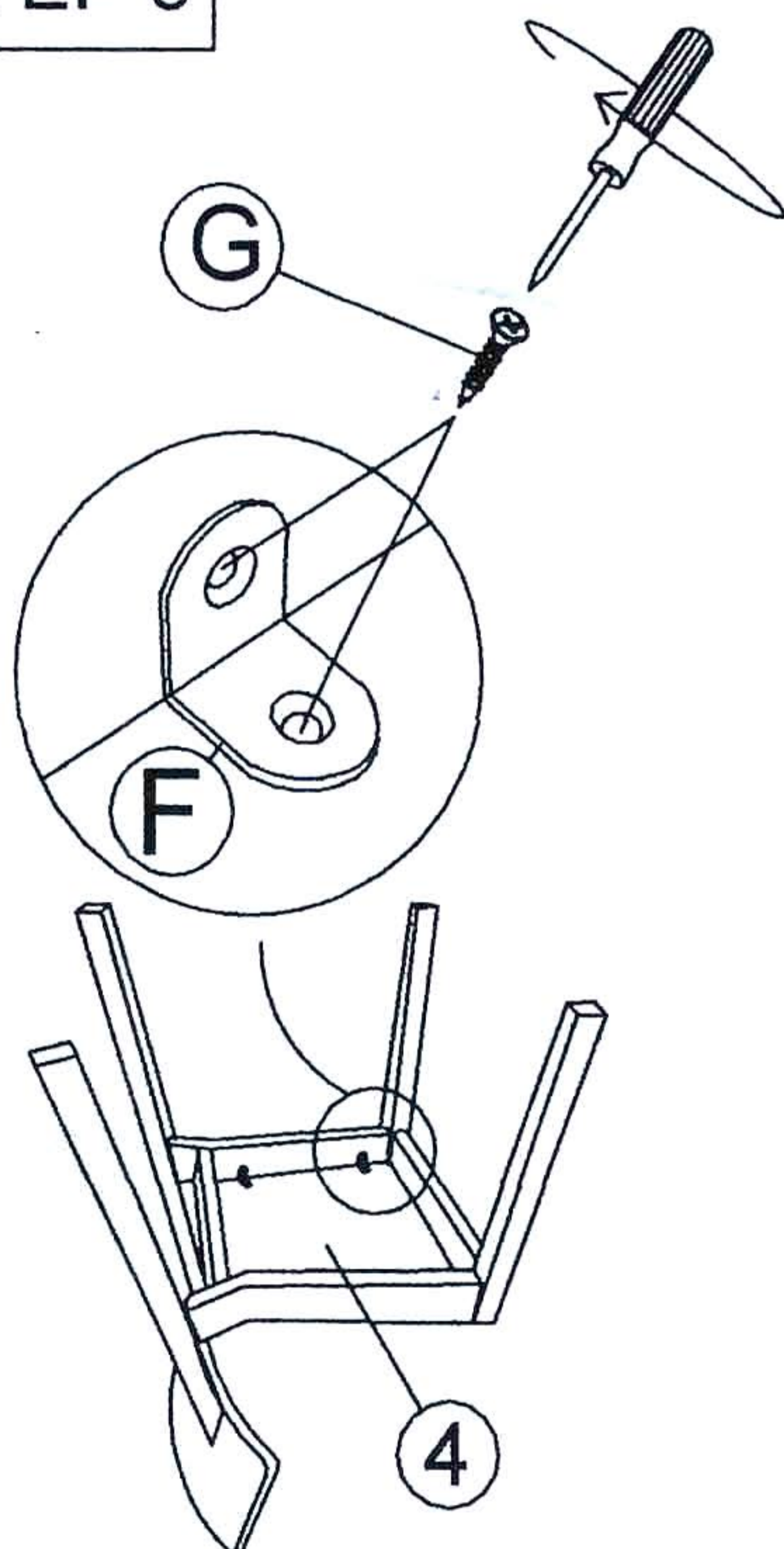
STEP 1



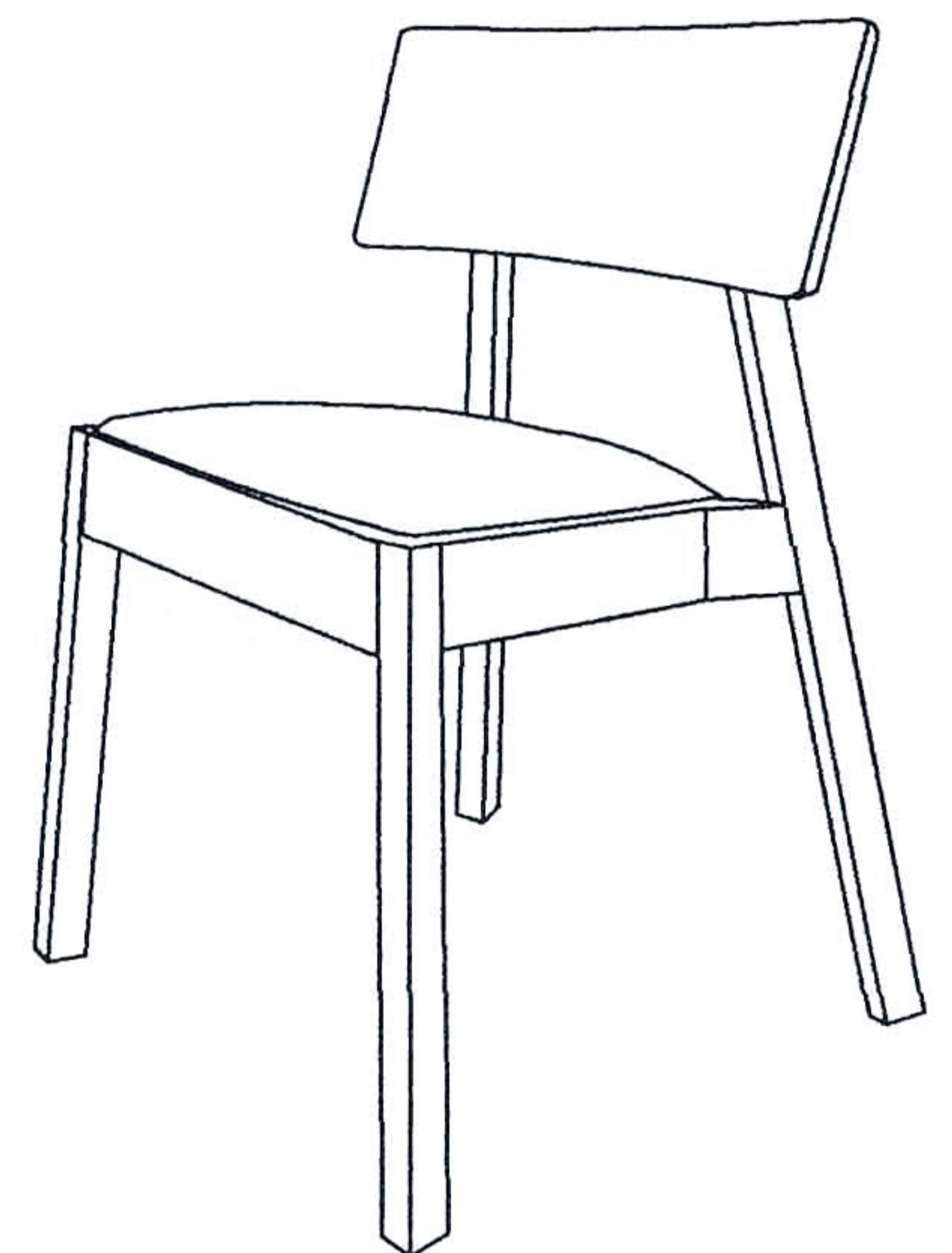
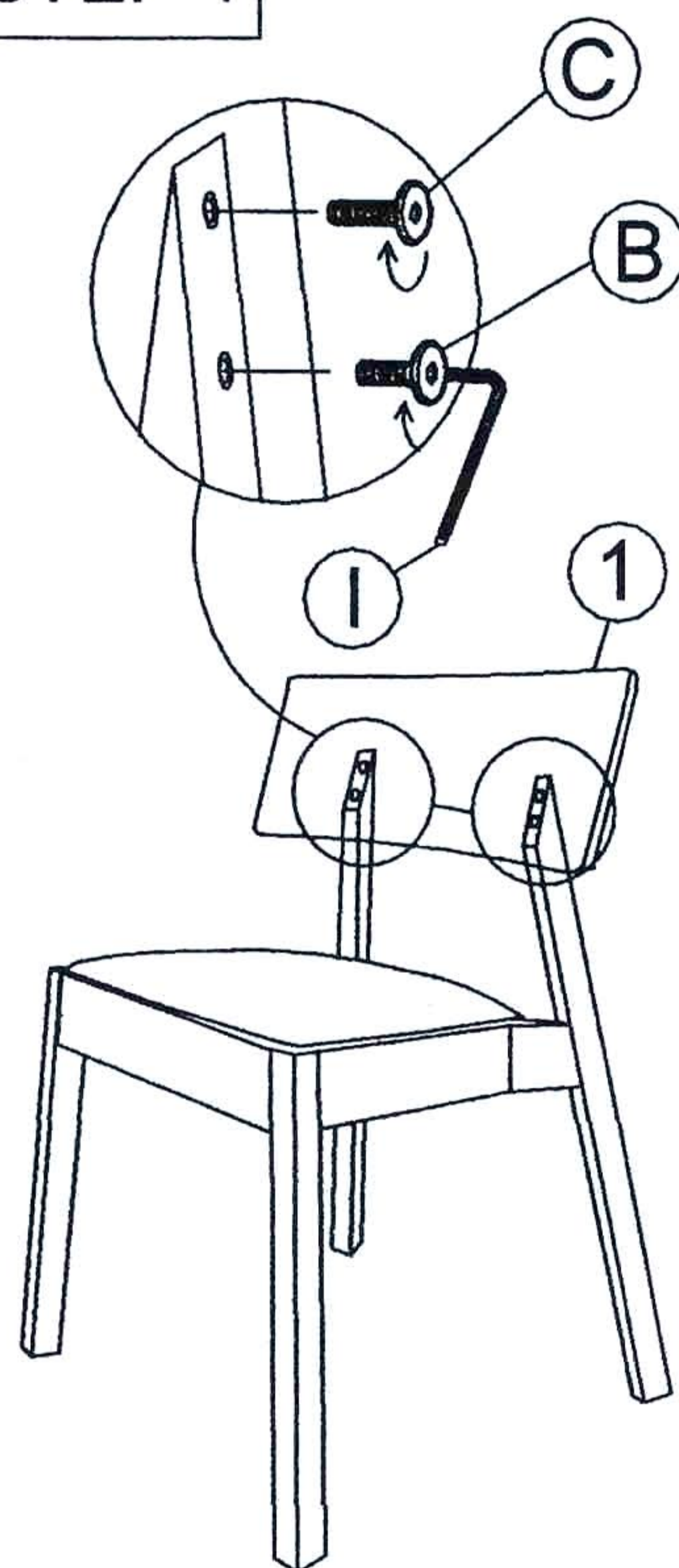
STEP 2



STEP 3



STEP 4



EAC