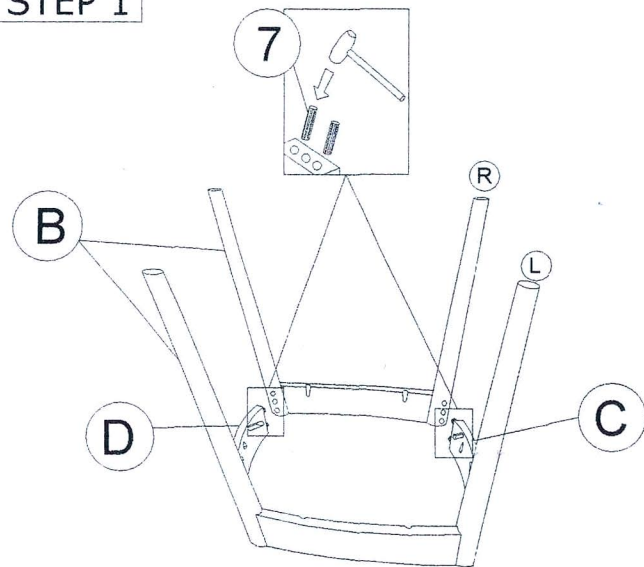


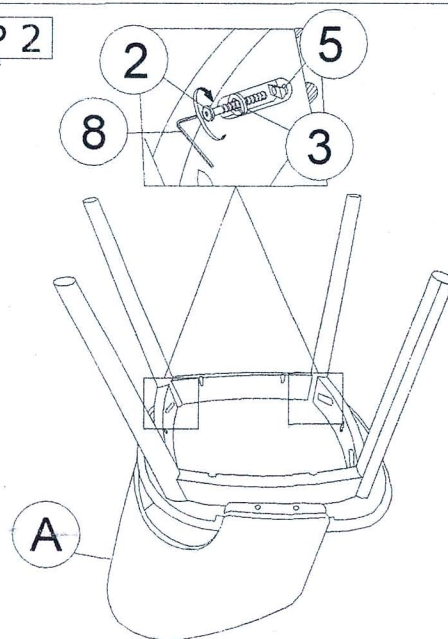
ИНСТРУКЦИЯ ПО СБОРКЕ

Стул Ванкувер

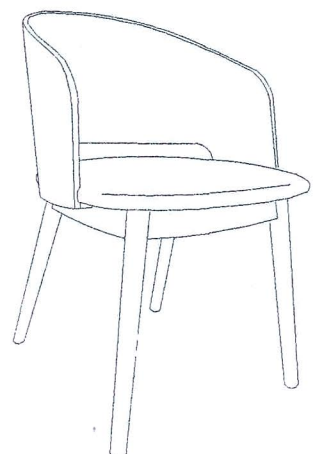
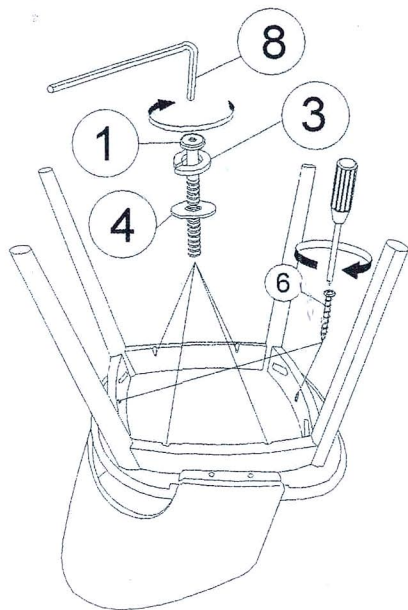
STEP 1



STEP 2



STEP 3



Read instruction carefully. Remove all wrapping material, staples and straps from the carton. See Hardware and Furniture Parts List for guidance. Be sure you have all parts before you start assembling. Place all wooden furniture part a clean and flat soft surface, such as carpet or rug to prevent from being scratched.

CAUTION :

KEEP ALL HARDWARE PART OUT OF REACH OF CHILDREN.

HARDWARE LIST		
ITEM	DESCRIPTION	QTY
1	JCBC BOLT M6 X 60MM (RB)	4 PCS
2	JCBC BOLT M6 X 50MM (RB)	4 PCS
3	SPRING WASHER 5/16" (RB)	8 PCS
4	FLAT WASHER 6 X 13MM (RB)	4 PCS
5	SCREW PIN	4 PCS
6	PH M5 X 32MM (BLK)	2 PCS
7	WOOD DOWEL 10 X 30MM	8 PCS
8	ALLEN KEY M4 (BALL SHAPE)	1 PC

PART LIST		
ITEM	DESCRIPTION	QTY
A	CHAIR FRAME	1 PC
B	CHAIR LEG (L & R)	2 PCS
C	FRONT RAIL	1 PC
D	BACK RAIL	1 PC

www.deephouse.pro

